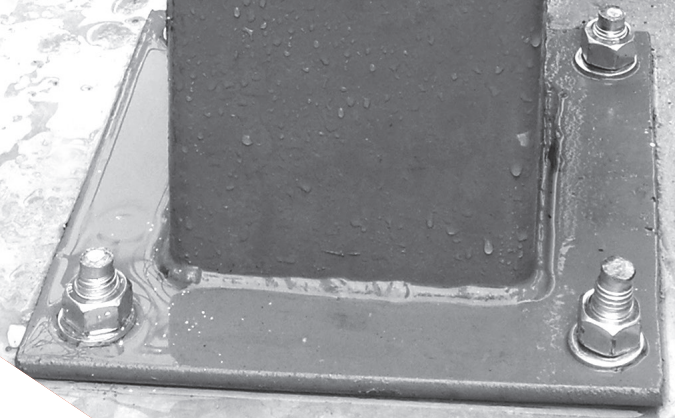


SLX SLEEVE ANCHOR



FEATURES

- Quick and easy for through fixing.
- Economical fixing system.
- Fully assembled and ready to use.
- Easy to expand in soft substrates.

APPLICATIONS

Steel to concrete

- Curtain's wall brackets, rackings, machineries, hand rails, safety barriers, piping and ducting brackets and roof truss installations.

Timber to concrete

- Timber skirting, wooden door and window frames, wooden roof truss, timber battens and many more.

Metal works

- Applications such as signage, hand rails and etc.

MATERIAL SPECIFICATIONS

- Carbon Steel Grade 5.8 Zinc Galvanised to min. 5 μ m
- Carbon Steel Grade 5.8 Hot Dipped Galvanised to min. 40 μ m
- Stainless Steel 304 (A2)



RANGE OF CONCRETE QUALITY

C20/25 ~ C50/60

RANGE OF LOADING

1.1 kN ~ 26.9 kN (SWL)



Medium loads

BASE MATERIALS



Concrete



Concrete block
solid stone



Solid brick

► ORDERING DETAILS

SLX SLEEVE ANCHOR - STEEL CLASS 5.8 ZINC GALVANISED (SLX)

ANCHOR SIZE	FIXTURE HOLE DIAMETER (mm)	MAX FIXTURE THICKNESS (mm)	PACKING CONTENT (PCs.)	PRODUCT PART NO.
M5 x 40	7	5	200	SLX640
M5 x 60	7	25	200	SLX660
M6 x 40	9	5	100	SLX840
M6 x 60	9	25	100	SLX860
M6 x 90	9	55	100	SLX890
M8 x 50	12	5	100	SLX1050
M8 x 75	12	30	50	SLX1075
M8 x 95	12	50	100	SLX1095
M8 x 125	12	80	50	SLX10125
M10 x 60	14	5	50	SLX1260
M10 x 75	14	20	50	SLX1275
M10 x 100	14	45	50	SLX12100
M10 x 125	14	70	30	SLX12125
M12 x 65	18	5	50	SLX1665
M12 x 110	18	50	20	SLX16110
M12 x 145	18	85	15	SLX16145
M16 x 75	22	10	15	SLX2075
M16 x 105	22	40	10	SLX20105
M16 x 150	22	85	10	SLX20150



SLX SLEEVE ANCHOR - STEEL CLASS 5.8 HOT DIPPED GALVANISED (SLX-GH)

ANCHOR SIZE	FIXTURE HOLE DIAMETER (mm)	MAX FIXTURE THICKNESS (mm)	PACKING CONTENT (PCs.)	PRODUCT PART NO.
M5 x 40	7	5	200	SLX640GH
M5 x 60	7	25	200	SLX660GH
M6 x 40	9	5	100	SLX840GH
M6 x 60	9	25	100	SLX860GH
M6 x 90	9	55	100	SLX890GH
M8 x 50	12	5	100	SLX1050GH
M8 x 75	12	30	50	SLX1075GH
M8 x 95	12	50	100	SLX1095GH
M8 x 125	12	80	50	SLX10125GH
M10 x 60	14	5	50	SLX1260GH
M10 x 75	14	20	50	SLX1275GH
M10 x 100	14	45	50	SLX12100GH
M10 x 125	14	70	30	SLX12125GH
M12 x 65	18	5	50	SLX1665GH
M12 x 110	18	50	20	SLX16110GH
M12 x 145	18	85	15	SLX16145GH
M16 x 75	22	10	15	SLX2075GH
M16 x 105	22	40	10	SLX20105GH
M16 x 150	22	85	10	SLX20150GH



SLX HEX HEAD SLEEVE ANCHOR - STEEL CLASS 5.8 ZINC GALVANISED (SLX-H)

ANCHOR SIZE	FIXTURE HOLE DIAMETER (mm)	MAX FIXTURE THICKNESS (mm)	PACKING CONTENT (PCs.)	PRODUCT PART NO.
M6 x 45	9	10	100	SLX845H
M6 x 70	9	35	100	SLX870H
M8 x 65	12	20	60	SLX1065H
M8 x 80	12	35	50	SLX1080H
M8 x 100	12	55	100	SLX10100H
M10 x 70	14	15	50	SLX1270H
M10 x 100	14	45	25	SLX12100H
M12 x 75	18	15	25	SLX1675H
M12 x 100	18	50	15	SLX16110H



SLX SLEEVE ANCHOR - STAINLESS STEEL CLASS 304 (A2) (SLX-S)

ANCHOR SIZE	FIXTURE HOLE DIAMETER (mm)	MAX FIXTURE THICKNESS (mm)	PACKING CONTENT (PCs.)	PRODUCT PART NO.
M6 x 40	9	5	100	SLX840S
M6 x 60	9	25	100	SLX860S
M8 x 50	12	5	100	SLX1050S
M8 x 75	12	30	50	SLX1075S
M8 x 95	12	50	100	SLX1095S
M10 x 75	14	20	50	SLX1275S
M10 x 100	14	45	50	SLX12100S



► INSTALLATION PERIMETER & LOADING DATA

SLX SLEEVE ANCHOR - STEEL CLASS 5.8 ZINC GALVANISED (SLX) & HOT DIPPED GALVANISED (SLX-GH)

ANCHOR SIZE	HOLE DIAMETER (mm)	MINIMUM HOLE DEPTH (mm)	MINIMUM CONCRETE THICKNESS (mm)	TIGHTENING TORQUE (Nm)	RECOMMENDED SPACING & EDGE DISTANCE TO FULL LOAD (mm)		ABSOLUTE MINIMUM SPACING & EDGE DISTANCE (mm)		RECOMMENDED LOAD ¹ (kN)	
					TENSION	SHEAR	TENSION	SHEAR	TENSION	SHEAR
M5	6	35	55	5	75	38	25	25	1.1	1.9
M6	8	40	60	10	90	45	30	30	2.1	3.4
M8	10	45	68	20	105	53	35	35	3.0	6.3
M10	12	55	83	40	135	68	45	45	4.9	9.9
M12	16	60	90	70	135	68	45	45	5.3	14.5
M16	20	70	105	150	150	75	50	50	5.9	26.9

SLX HEX HEAD SLEEVE ANCHOR - STEEL CLASS 5.8 ZINC GALVANISED (SLX-H)

ANCHOR SIZE	HOLE DIAMETER (mm)	MINIMUM HOLE DEPTH (mm)	MINIMUM CONCRETE THICKNESS (mm)	TIGHTENING TORQUE (Nm)	RECOMMENDED SPACING & EDGE DISTANCE TO FULL LOAD (mm)		ABSOLUTE MINIMUM SPACING & EDGE DISTANCE (mm)		RECOMMENDED LOAD ¹ (kN)	
					TENSION	SHEAR	TENSION	SHEAR	TENSION	SHEAR
M6	8	40	60	10	90	45	30	30	2.1	3.4
M8	10	45	68	20	105	53	35	35	3.0	6.3
M10	12	55	83	40	135	68	45	45	4.9	9.9
M12	16	60	90	70	135	68	45	45	5.3	14.5

SLX SLEEVE ANCHOR - STAINLESS STEEL CLASS 304 (A2) (SLX-S)

ANCHOR SIZE	HOLE DIAMETER (mm)	MINIMUM HOLE DEPTH (mm)	MINIMUM CONCRETE THICKNESS (mm)	TIGHTENING TORQUE (Nm)	RECOMMENDED SPACING & EDGE DISTANCE TO FULL LOAD (mm)		ABSOLUTE MINIMUM SPACING & EDGE DISTANCE (mm)		RECOMMENDED LOAD ¹ (kN)	
					TENSION	SHEAR	TENSION	SHEAR	TENSION	SHEAR
M6	8	40	60	10	90	45	30	30	1.8	3.9
M8	10	45	68	20	105	53	35	35	2.5	7.0
M10	12	55	83	40	135	68	45	45	2.9	11.2

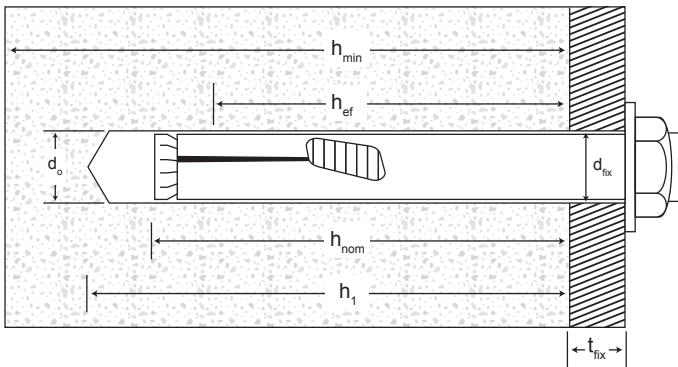
¹ Loading based on standard embedment depth and non-cracked concrete, $f_{ck,cube} = 25 \text{ N/mm}^2$ (C20/25)

▶ LOADING DATA FOR BRICKWORK OR BLOCKWORK

ANCHOR SIZE	HOLE DIAMETER (mm)	MINIMUM HOLE DEPTH (mm)	MINIMUM CONCRETE THICKNESS (mm)	TIGHTENING TORQUE (Nm)	BRICKWORK = 20 MPa		BLOCKWORK = 14 MPa		BLOCKWORK = 7 MPa	
					RECOMMENDED LOAD ¹ [kN]					
					TENSION	SHEAR	TENSION	SHEAR	TENSION	SHEAR
M5	6	35	55	5	0.9	1.6	0.7	1.6	0.6	1.1
M6	8	40	60	10	1.3	2.4	1.2	2.4	0.9	1.2
M8	10	45	68	20	1.9	4.0	1.7	4.0	1.3	1.2
M10	12	55	83	40	2.3	4.7	2.1	4.7	1.7	1.4
M12	16	60	90	70	2.8	6.1	2.6	6.1	2.2	1.5
M16	20	70	105	150	3.6	7.4	3.1	7.4	2.6	2.0

¹ Safety factor of 5.0 is recommended.

▶ SETTING DIAGRAM



▶ INSTALLATION PROCEDURE

